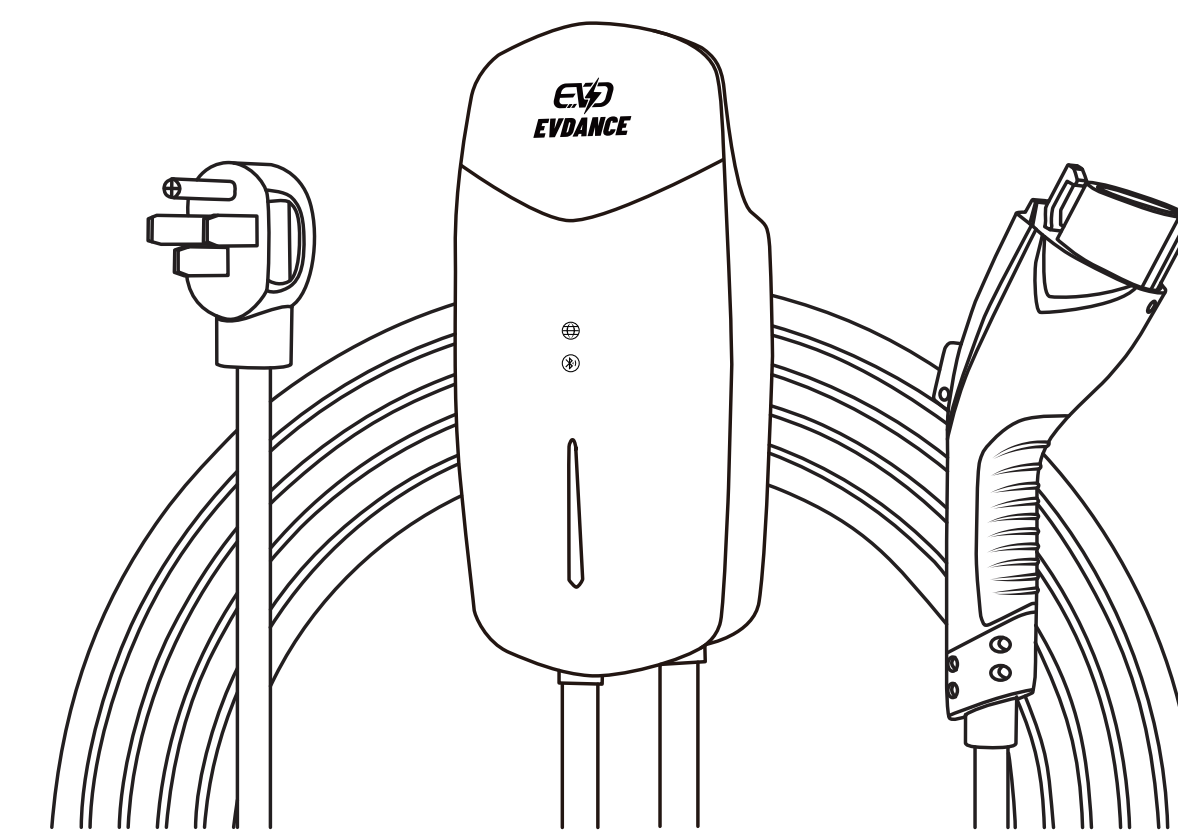




40A Flexible Amperage AC Charging Station

User Manual

Model: ACT4001U

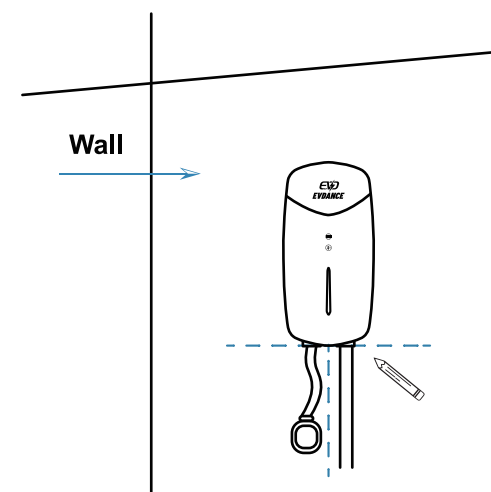


Read and follow all warnings and instructions in the manual carefully before installing and operating the charging station.

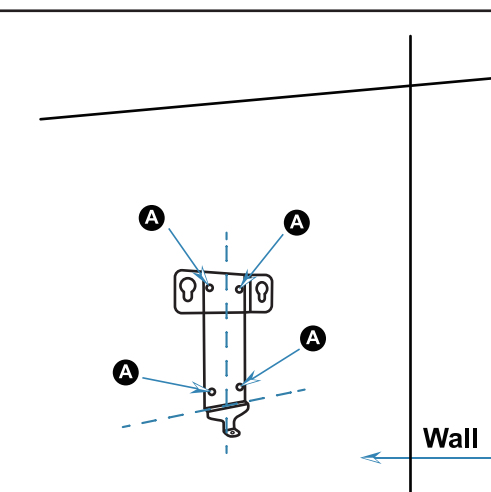
Installation Steps

CAUTION: The charging station must be installed by a licensed electrician.

1 Plug the NEMA cable into the outlet, and position the charger where ensure that the NEMA cable has a slight curve and is not stretched. Mark a horizontal line at the bottom of the charger and a vertical line at the center of the bottom. Unplug the charger.

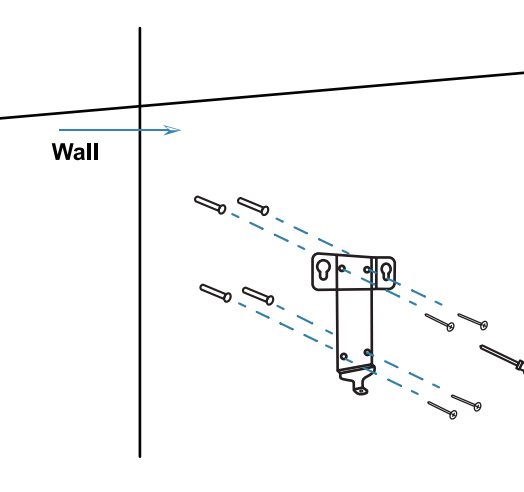


2 Place the wall dock with the bottom edge aligned with the horizontal line and the center aligned with the vertical line. Mark the four mounting holes and remove the wall dock.

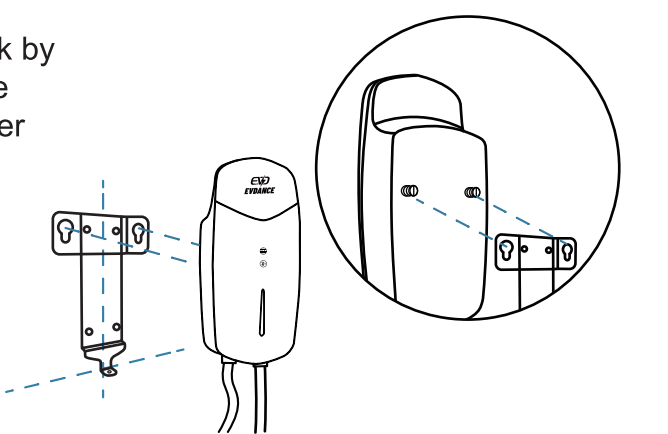


1

3 Drill four 4x40mm holes and insert four 4x40mm diameter wall anchors into the mounting holes. Attach the wall dock to the mounting location by screwing four KA/4x40mm screws into the mounting holes.

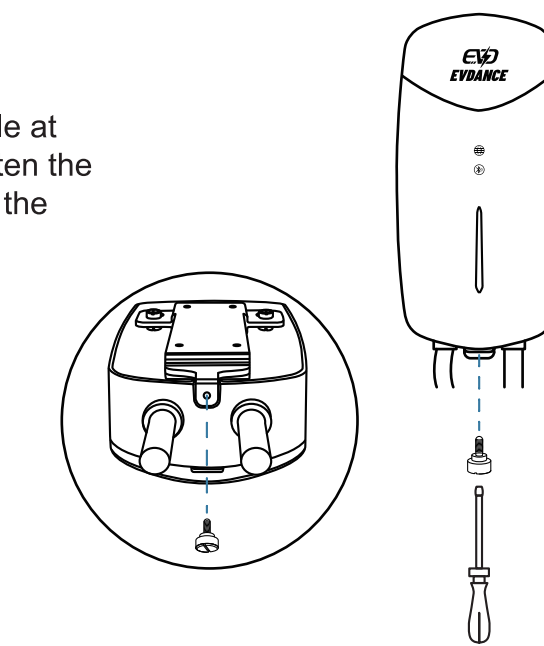


4 Attach the charger to the wall dock by inserting the mounting screws on the back of the charger into the two upper mounting holes. Slide the charger downwards.

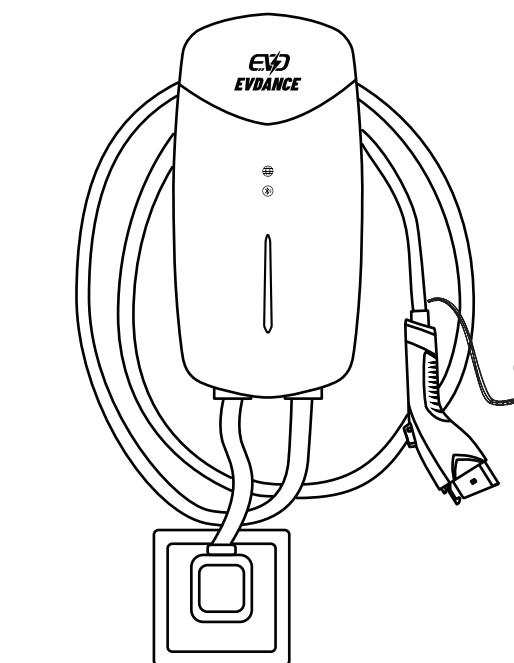


2

5 Screw the M4 screw into the hole at the bottom of the charger and tighten the screw to secure the charger using the flat blade screwdriver.



6 Plug the NEMA cable into the outlet and you're ready to go.



3